

Electron Multiplier

Miniature Channeltron[®] Electron Multiplier



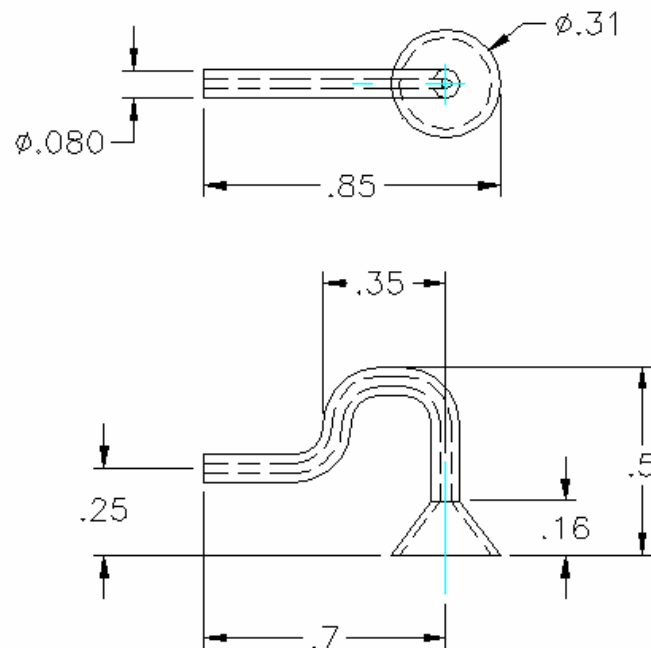
Applications

- ✓ Leak detectors
- ✓ Portable mass spectrometers
- ✓ Dedicated sensors
- ✓ Environmental sensors
- ✓ Industrial sensors

Features

- ✓ Compact
- ✓ Single-piece construction
- ✓ Ideal for portable low-cost instruments
- ✓ Mounting available in various configurations
- ✓ Analog or pulse counting applications
- ✓ Gain greater than 10 Million
- ✓ Low noise

General Specifications		Unit
Maximum Operating Pressure	5.0×10^{-5}	Torr
Maximum Specified Operating Voltage	3000	V
Bias Current at 3000 V	10 to 55	μA
Resistance (For Reference Only)	55 to 85	$\text{M}\Omega$
Minimum Gain at 3000 V	1.0×10^7	
Maximum Dark Current at 3000 V	1.0×10^{-12}	A
Maximum Dark Count at 3000 V	1	Count/Second
Maximum Linear Output Current (Typical)	10% of Bias Current	



The information furnished is believed to be accurate and reliable, but is not guaranteed and is subject to change without notice. No liability is assumed by PHOTONIS for its use. Performance data represents typical characteristics as individual product performance may vary. Customers should verify that they have the most current PHOTONIS product information before placing orders. No claims or warranties are made as to the application of PHOTONIS products. Pictures may not be considered as contractually binding. This document may not be reproduced, in whole or in part, without the prior written consent of PHOTONIS.